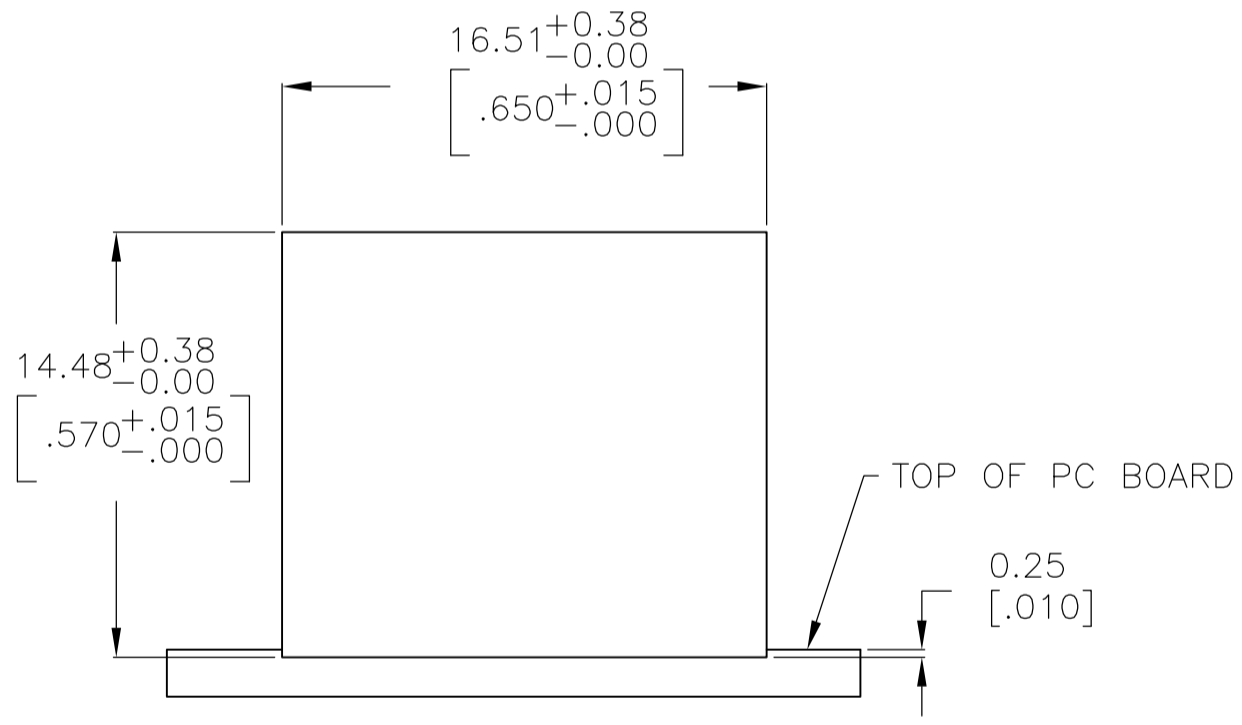
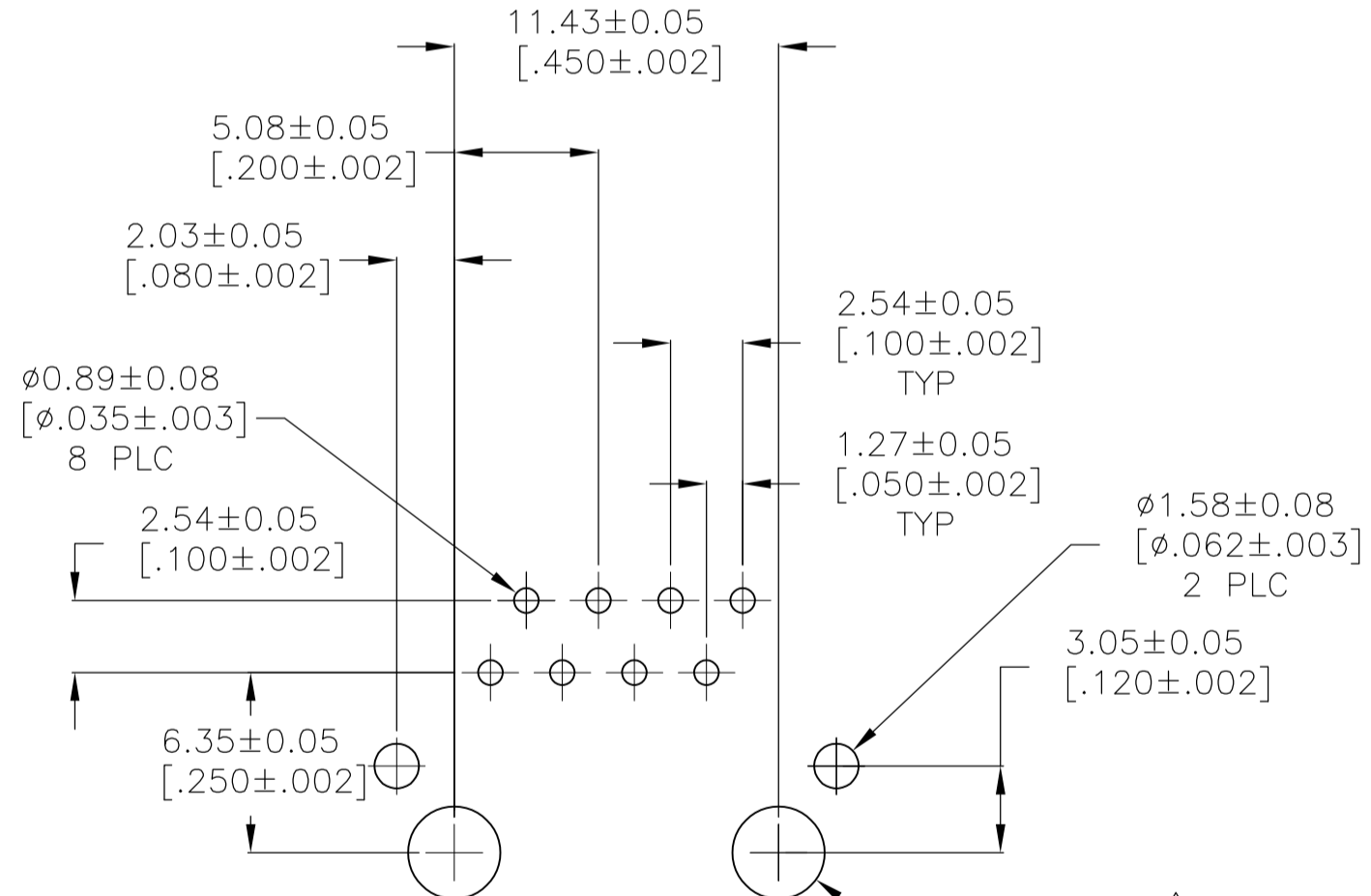
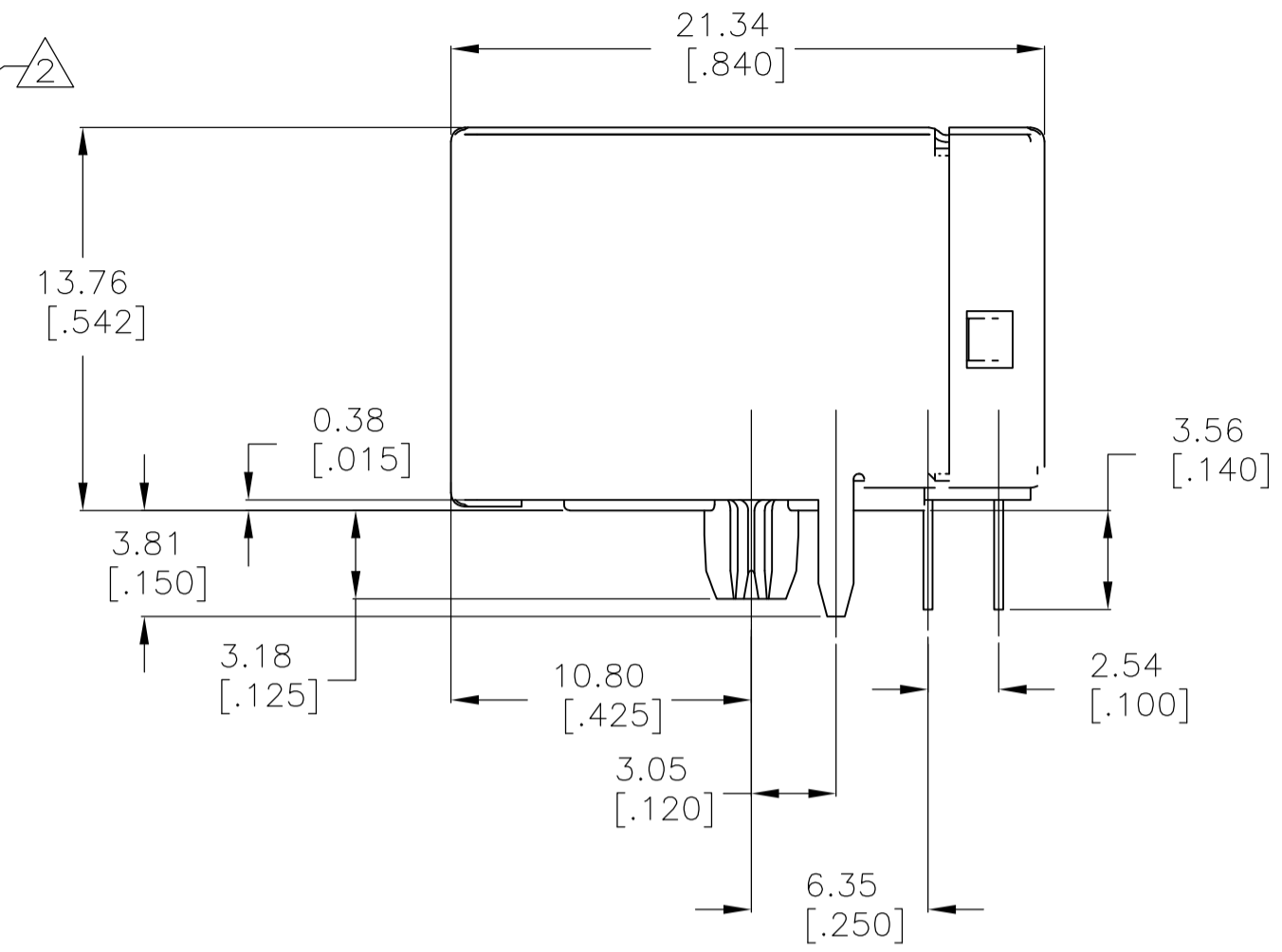
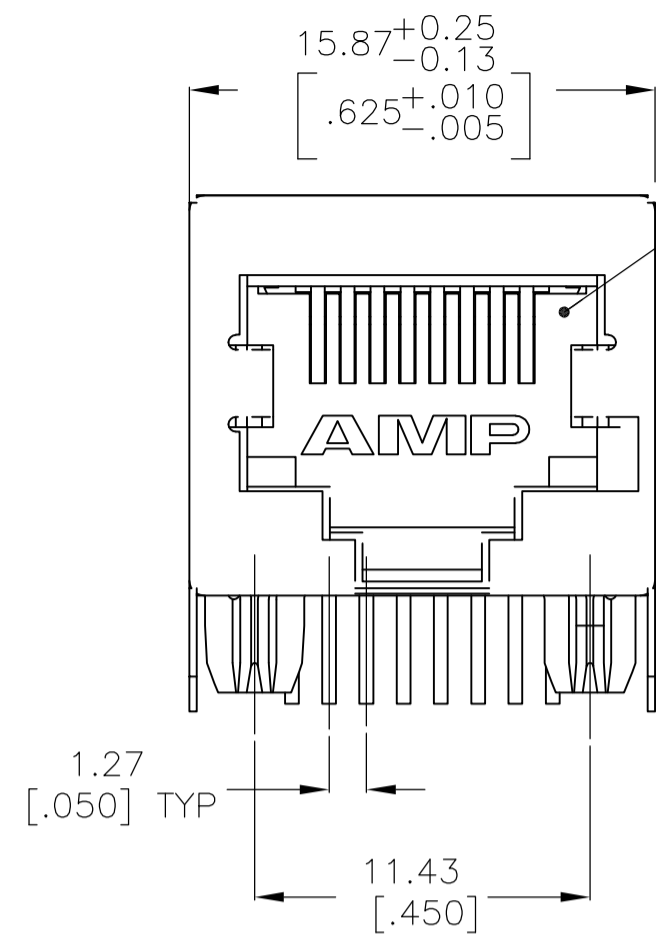


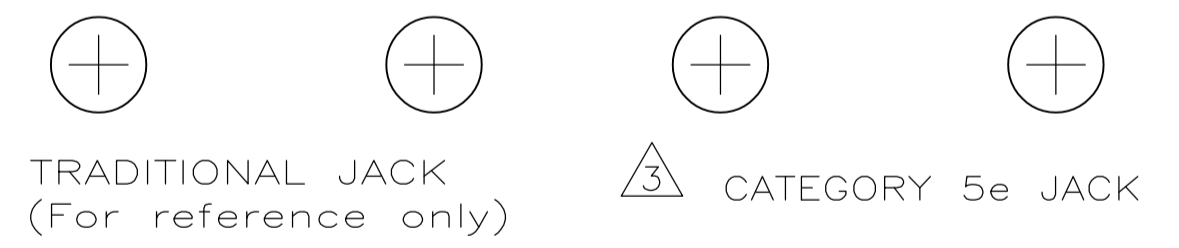
THIS DRAWING IS UNPUBLISHED. RELEASED FOR PUBLICATION  
 © COPYRIGHT - By - ALL RIGHTS RESERVED.

LOC		DIST		REVISIONS			
P	LTR	DESCRIPTION	DATE	DWN	APVD		
AA	00						
	D1	REVISED PER ECO-11-005033	26MAR11	RK	HMR		
	E	ECO-11-019003	19SEP11	JJ	MQW		
	F	ECO-13-009636	9JUN13	C.W.S.H			



SUGGESTED PANEL CUTOUT  
SCALE 4:1

- MATERIAL: HOUSING HTN, BLACK.  
 TERMINALS -  $0.33$  [TYP] THICK PHOS BRONZE PLATED WITH  $1.27 \mu\text{m}$  [TYP] MINIMUM THICK HARD GOLD IN LOCALIZED AREA AND  $3.81 \mu\text{m}$  [TYP] MINIMUM THICK MATTE TIN IN SOLDER AREA OVER  $1.27 \mu\text{m}$  [TYP] MINIMUM THICK NICKEL UNDERPLATE.  
 SHIELDS -  $0.254$  [TYP] THICK COPPER ALLOY PLATED WITH  $1.27 \mu\text{m}$  [TYP] MINIMUM NICKEL AND  $2.03 \mu\text{m}$  [TYP] MINIMUM HOT TIN DIP ON PCB GROUND TABS.
- JACK CAVITY CONFORMS TO FCC RULES AND REGULATIONS, PART 68 SUBPART F.
- CAUTION: CATEGORY 5 JACK SOLDER TAIL POSITIONS DO NOT FOLLOW SAME NUMBER SEQUENCE AS THAT OF TRADITIONAL JACKS.
- USE #30 DRILL BIT OR 3.25mm DRILL BIT WHEN PRODUCING THESE PCB HOLES.
- OBSOLETE PARTS: OBSOLETE CIS STREAMLINING PER D.RENAUD/D.SINISI
- SHIELD MATERIAL: PHOS BRONZE.



SUGGESTED PC BOARD LAYOUT  
COMPONENT SIDE

$\triangle 6$	BLACK	5558342-3
$\triangle 5$ OBSOLETE	GRAY	5558342-2
	BLACK	5558342-1
	HOUSING COLOR	PART NUMBER

THIS DRAWING IS A CONTROLLED DOCUMENT.		DWN	01JUNE2005	TE Connectivity	
		CHK	T. PITTS/L.A.MAYER		
		APVD	J.WESTMAN		
		PRODUCT SPEC	S.FLICKINGER		
		APPLICATION SPEC	108-1163-2		
		WEIGHT	114-2048		
MATERIAL		FINISH		SIZE	CAGE CODE
SEE NOTE 1		SEE NOTE 1		A2	00779
				SCALE	SHEET
				4:1	1 of 1
				REV	F